

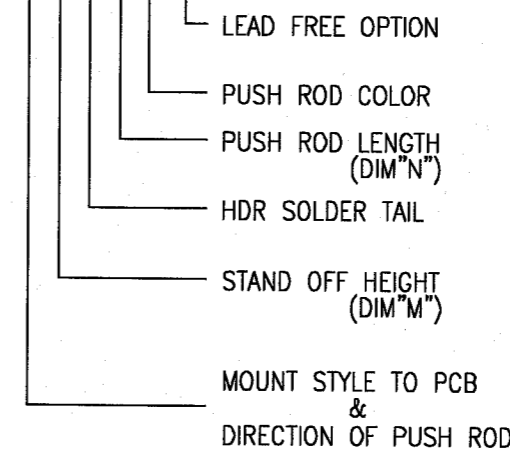
PRODUCT NO.

92194

REVISIONS				
REV	DESCRIPTION	ECN	BY	DATE
A	RELEASED	J30022	N.T	1/19/95
B	REVISED	J30062	N.T	3/2/93
C	REVISED	J40349	M.K	1/23/95
D	REVISED	V60956	M.K	7/29/96
E	REVISED	N90076	M.K	7/22/99
F	REVISED	v04-0820	M.H	8/16/04
G	REVISED	J05-0367	M.H	6/17/05

PRODUCT NO. *92194-XXXX	STAND OFF DIM "M"(mm)	UPPER DECK			LOWER DECK			DIM "P" (mm)	HDR COLOR	SHEET NO.	MOUNTING STYLE TO PCB & DIRECTION OF PUSH ROD
		(MECH+HDR) 92711-XXXX	(MECH) 92192-XXXX	(HDR) 92140-XXX	(MECH+HDR) 92193-XXXX	(MECH) 92192-XXXX	(HDR) 92140-XXX				
000CA	0	000CA	00CA	005	100CA	10CA	000	2.8	BLACK	NO.2	
000CALF	0	000CALF	00CA	005LF	100CALF	10CA	000LF	2.8	BLACK		
020CA	2	020CA	00CA	045	120CA	12CA	040	2.5	BLACK		
020CALF	2	020CALF	00CA	045LF	120CALF	12CA	040LF	2.5	BLACK		
100CA	0	100CA	10CA	005	000CA	00CA	000	2.8	BLACK	NO.3	
100CALF	0	100CALF	10CA	005LF	000CALF	00CA	000LF	2.8	BLACK		
120CA	2	120CA	10CA	045	020CA	02CA	040	2.5	BLACK		
120CALF	2	120CALF	10CA	045LF	020CALF	02CA	040LF	2.5	BLACK		
200CA	0	000CA	00CA	005	000CA	00CA	000	2.8	BLACK	NO.4	
200CALF	0	000CALF	00CA	005LF	000CALF	00CA	000LF	2.8	BLACK		
200FA	0	000FA	00FA	005	000FA	00FA	000	2.8	BLACK		
200FALF	0	000FALF	00FA	005LF	000FALF	00FA	000LF	2.8	BLACK		
220CA	2	020CA	00CA	045	020CA	02CA	040	2.5	BLACK	NO.5	
220CALF	2	020CALF	00CA	045LF	020CALF	02CA	040LF	2.5	BLACK		
300CA	0	100CA	10CA	005	100CA	10CA	000	2.8	BLACK		
300CALF	0	100CALF	10CA	005LF	100CALF	10CA	000LF	2.8	BLACK		
320CA	2	120CA	10CA	045	120CA	12CA	040	2.5	BLACK	NO.6	
320CALF	2	120CALF	10CA	045LF	120CALF	12CA	040LF	2.5	BLACK		
320FA	2	120FA	10FA	045	120FA	12FA	040	2.5	BLACK		
320FALF	2	120FALF	10FA	045LF	120FALF	12FA	040LF	2.5	BLACK		
500CA	0	600CA	00CA	505	500CA	10CA	500	2.8	NATURAL	NO.7	
500CALF	0	600CALF	00CA	505LF	500CALF	10CA	500LF	2.8	NATURAL		
500FA	0	600FA	00FA	505	500FA	10FA	500	2.8	NATURAL		
500FALF	0	600FALF	00FA	505LF	500FALF	10FA	500LF	2.8	NATURAL		
520CA	2	620CA	00CA	545	520CA	12CA	540	2.5	NATURAL	NO.8	
520CALF	2	620CALF	00CA	545LF	520CALF	12CA	540LF	2.5	NATURAL		
600CA	0	500CA	10CA	505	600CA	00CA	500	2.8	NATURAL		
600CALF	0	500CALF	10CA	505LF	600CALF	00CA	500LF	2.8	NATURAL		
620CA	2	520CA	10CA	545	620CA	02CA	540	2.5	NATURAL	NO.9	
620CALF	2	520CALF	10CA	545LF	620CALF	02CA	540LF	2.5	NATURAL		
700CA	0	500CA	10CA	505	500CA	10CA	500	2.8	NATURAL		
700CALF	0	500CALF	10CA	505LF	500CALF	10CA	500LF	2.8	NATURAL		
720CA	2	520CA	10CA	545	520CA	12CA	540	2.5	NATURAL	NO.9	
720CALF	2	520CALF	10CA	545LF	520CALF	12CA	540LF	2.5	NATURAL		
800CA	0	600CA	00CA	505	600CA	00CA	500	2.8	NATURAL		
800CALF	0	600CALF	00CA	505LF	600CALF	00CA	500LF	2.8	NATURAL		
820CA	2	620CA	00CA	545	620CA	02CA	540	2.5	NATURAL	NO.9	
820CALF	2	620CALF	00CA	545LF	620CALF	02CA	540LF	2.5	NATURAL		

* 92194-X X X X X XX



- NONE : NO
- LF : YES (SEE NOTE1)
- A : BLACK
- C : 13mm
- F : 21mm
- 0 : R/A
- 0 : 0mm(NONE)
- 2 : 2mm
- 0 : TOP MOUNT & RIGHT-LEFT PUSH ROD
- 1 : TOP MOUNT & LEFT-RIGHT PUSH ROD
- 2 : TOP MOUNT & RIGHT-RIGHT PUSH ROD
- 3 : TOP MOUNT & LEFT-LEFT PUSH ROD
- 5 : BOTTOM MOUNT & RIGHT-LEFT PUSH ROD
- 6 : BOTTOM MOUNT & LEFT-RIGHT PUSH ROD
- 7 : BOTTOM MOUNT & RIGHT-RIGHT PUSH ROD
- 8 : BOTTOM MOUNT & LEFT-LEFT PUSH ROD

NOTE
1. THIS PRODUCT MEETS EUROPEAN UNION DIRECTIVES AND OTHER COUNTRY REGULATIONS AS DESCRIBED IN GS-22-008.

DF-003A REV F

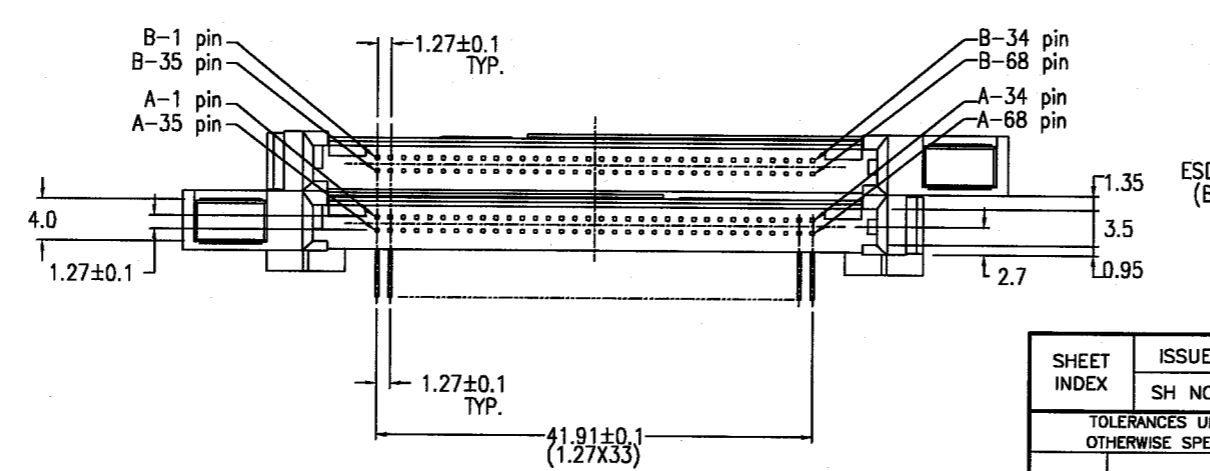
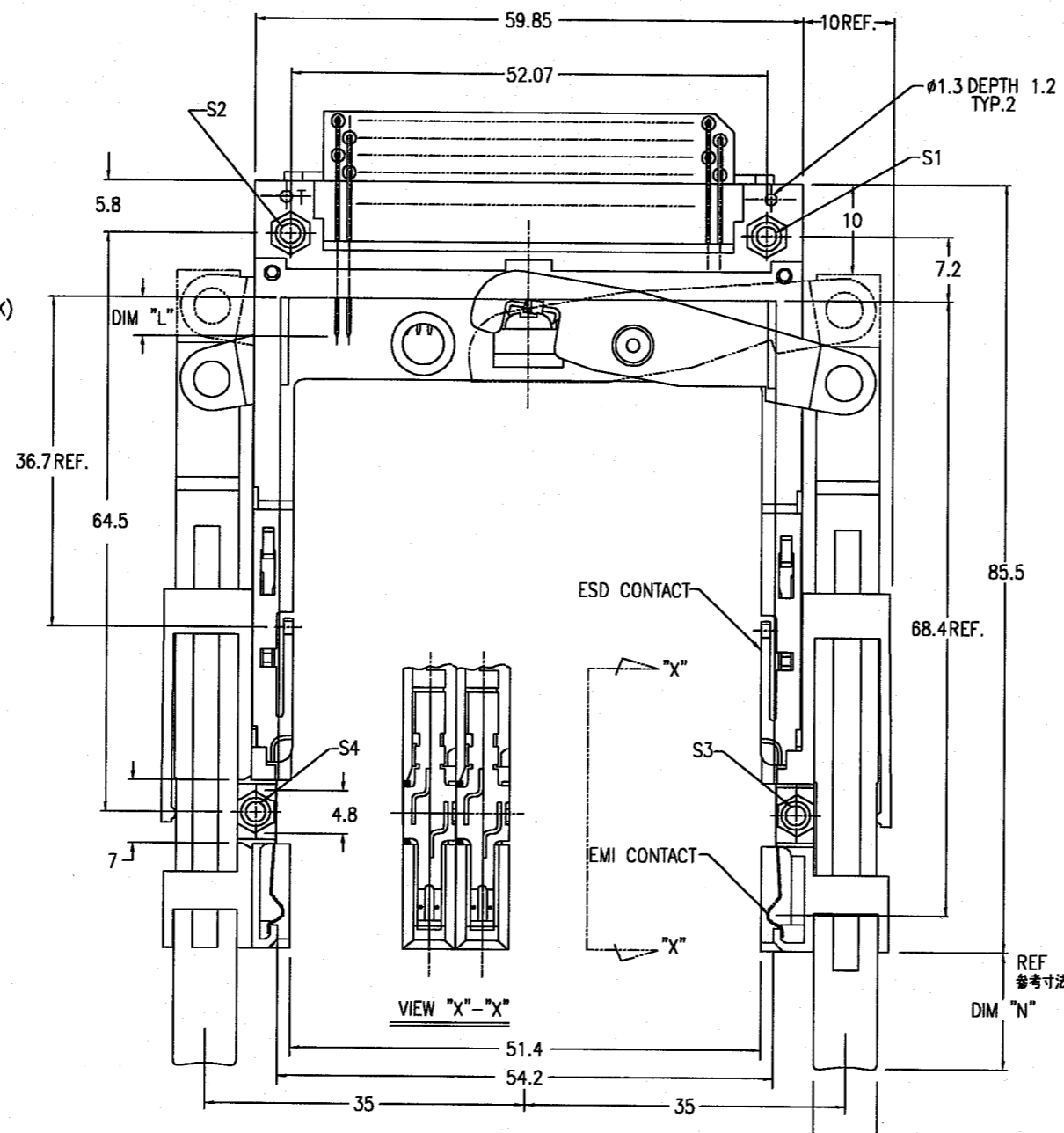
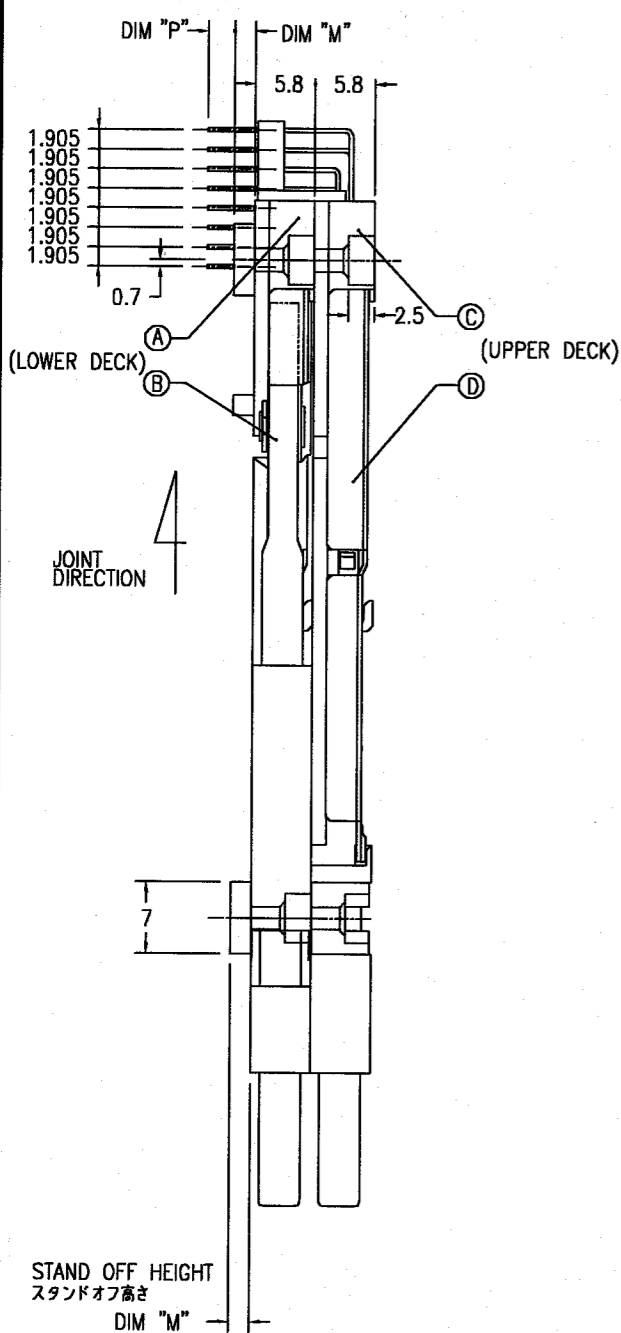
DO NOT SCALE. PRINT THIS INFORMATION IS CONFIDENTIAL AND IS DISCLOSED TO YOU ON CONDITION THAT NO FURTHER DISCLOSURE IS MADE BY YOU TO OTHER THAN FCI PERSONNEL WITHOUT WRITTEN AUTHORIZATION FROM FCI JAPAN K.K.

SHEET INDEX	ISSUE	G	C	C	D	D	D	C	D	C									
	SH NO.	1	2	3	4	5	6	7	8	9									
TOLERANCES UNLESS OTHERWISE SPECIFIED		MAT		DR		DATE		CUSTOMER COPY		TITLE 68P DOUBLE EJECTOR HEADER ASSY FOR TYPE I/II/III									
		—H—		M. Hasegawa		6/17/05		—H—		PRODUCT FAMILY SANF Header PCMCIA CODE JP									
LINEAR		FINISH		CHK		DATE		THIRD ANGLE PROJ		SCALE SIZE DWG. NO. REV SHEET									
		—H—		M. Hasegawa		6/20/07		—H—		—H— C 92194 G 1of9									
ANGLES				APPD		DATE		UNIT											
				H. Ito		6/20/05		MM											

FCI

PART NO.	
92194-000CA	92194-000CALF
92194-020CA	92194-020CALF

REVISIONS				
REV	DESCRIPTION	ECN	BY	DATE
A	RELEASED	J30022	N.T	1/19/93
B	REVISED	J40349	M.K	1/23/95
C	REVISED	J05-0367	M.H	6/17/05

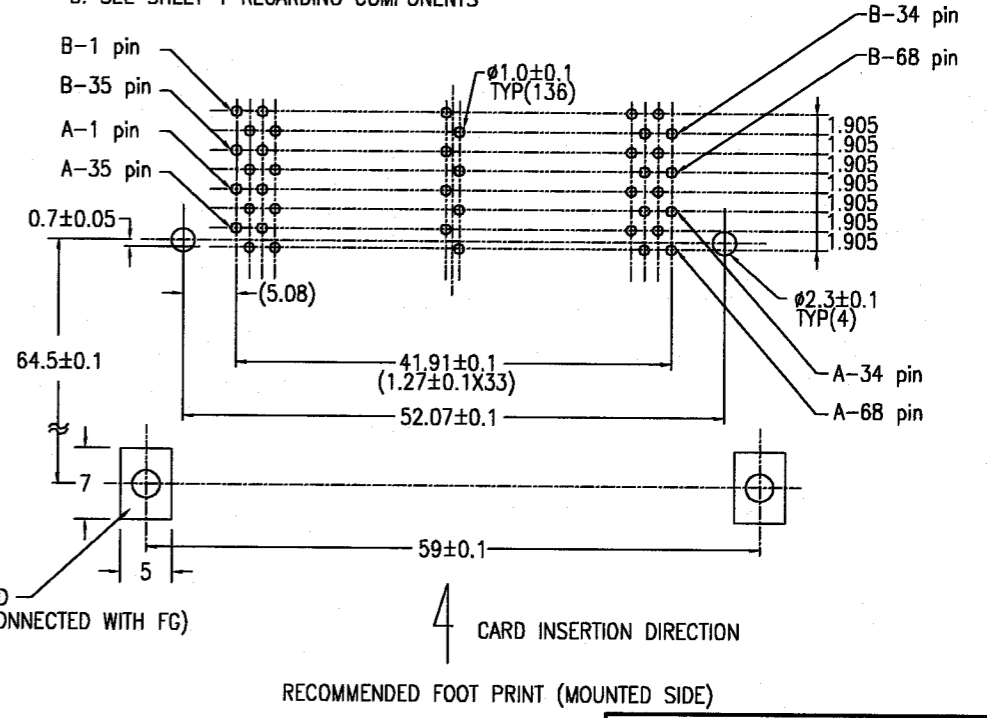


NOTE

- EJECT FORCE 3.5kg MAX.
- ASSY PROCESS
 - TO MOUNT PART ④, ⑤ ON PWB WITH SCREW (S1,S2) AND SOLDER.
 - TO JOINT PART ③, ⑥ INTO PART ④, ⑤ THEN FIX PART ③, ⑥ WITH 2 SCREWS (S3,S4).
- EJECT TRAVEL 8.0mm
- MATERIAL
 - PART ④, ⑤ (HEADER ASSY)
 - PLASTIC : HOUSING : LCP UL94V-0 BLACK
 - LOCATOR : G.F.6/6 NYLON UL94V-0 BLACK
 - PIN : PHOSPHOR BRONZE
 - PART ③, ⑥ (EJECT MECHANISM ASSY)
 - PLASTIC : GUIDE : POLYOTHARAMID UL94V-0 BLACK
 - PUSH ROD : POLYOTHARAMID UL94V-0 BLACK
 - PLATE : STAINLESS
 - EMI CONTACT : PHOSPHOR BRONZE
- FINISH (PIN)
 - FINISH (PIN)
 - UNDER PLATING : 0.5 μm MIN. Ni
 - CONTACT AREA : 0.1 μm MIN. GOLD OVER 0.5 μm MIN. Pd-Ni
 - SOLDER TAIL : 2.5 μm MIN. Sn-Pb.
 - FINISH (PIN) (FOR -****LF)
 - UNDER PLATING : 0.5 μm MIN. Ni
 - CONTACT AREA : 0.1 μm MIN. GOLD OVER 0.5 μm MIN. Pd-Ni
 - SOLDER TAIL : 2.5 μm MIN. Sn.

4.25±0.1	3.5±0.1	5.0±0.1
OTHERS	36.67	35.51.68

7. GENERAL TOLERANCE : ±0.3
 8. SEE SHEET 1 REGARDING COMPONENTS

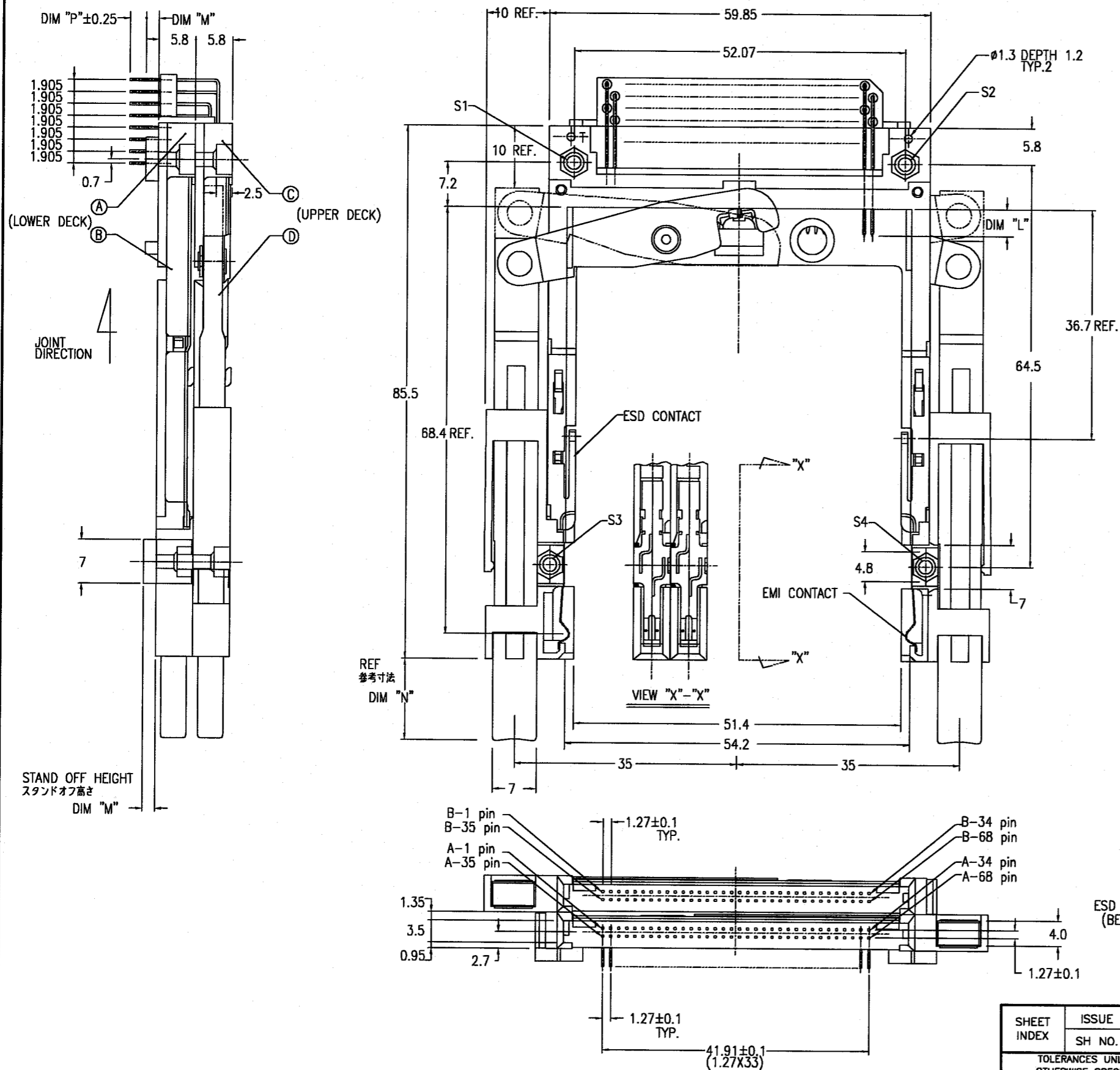


DF-003A REV F
 DO NOT SCALE. PRINT THIS INFORMATION IS CONFIDENTIAL AND IS DISCLOSED TO YOU ON CONDITION THAT NO FURTHER DISCLOSURE IS MADE BY YOU TO OTHER THAN FCI PERSONNEL WITHOUT WRITTEN AUTHORIZATION FROM FCI JAPAN K.K.

SHEET INDEX	ISSUE	SH NO.																		
TOLERANCES UNLESS OTHERWISE SPECIFIED												MAT	DR	DATE	CUSTOMER COPY	FCI				
												SEE NOTE ④	M. Hasegawa	6/17/05		88P DOUBLE EJECTOR HEADER ASSY FOR TYPE I/II/III				
												FINISH	ENGR	6/17/05	PRODUCT FAMILY		CODE			
												SEE NOTE ⑤	CHK	6/20/05	SANF Header PCMCIA		JP			
												APPD	APPD	6/20/05	SCALE		SIZE	DWG. NO.	REV	SHEET
															2/1		C	92194	C	2 of

PRODUCT NO.	
92194-100CA	92194-100CALF
92194-120CA	92194-120CALF

REVISIONS				
REV	DESCRIPTION	ECN	BY	DATE
A	RELEASED	J30022	N.T.	1/19/93
B	REVISED	J40349	M.K.	1/24/95
C	REVISED	J05-0367	M.H.	6/17/05

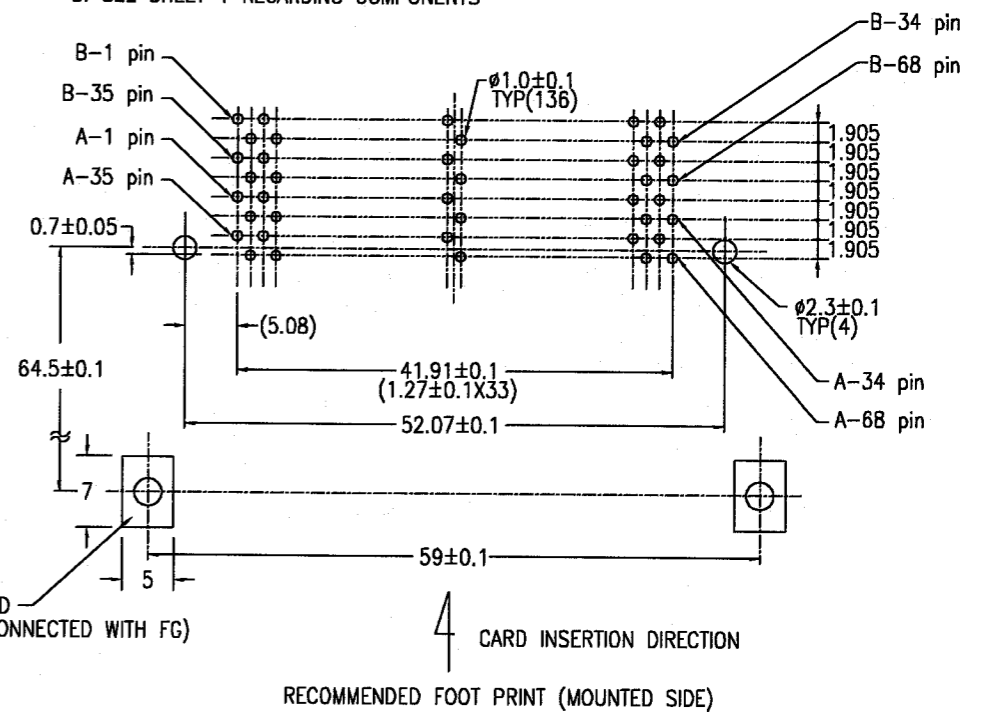


NOTE

- EJECT FORCE 3.5kg MAX.
- ASSY PROCESS
 - TO MOUNT PART ④, ⑤ ON PWB WITH SCREW (S1,S2) AND SOLDER.
 - TO JOINT PART ③, ④ INTO PART ④, ⑤ THEN FIX PART ③, ④ WITH 2 SCREWS (S3,S4).
- EJECT TRAVEL 8.0mm
- MATERIAL
 - PART ④, ⑤ (HEADER ASSY)
 - PLASTIC : HOUSING : LCP UL94V-0 BLACK
 - LOCATOR : G.F.6/6 NYLON UL94V-0 BLACK
 - PIN : PHOSPHOR BRONZE
 - PART ③, ④ (EJECT MECHANISM ASSY)
 - PLASTIC : GUIDE : POLYOTHARAMID UL94V-0 BLACK
 - PUSH ROD : POLYOTHARAMID UL94V-0 BLACK
 - PLATE : STAINLESS
 - EMI CONTACT : PHOSPHOR BRONZE
- FINISH (PIN)
 - FINISH (PIN)
 - UNDER PLATING : 0.5 μm MIN. Ni
 - CONTACT AREA : 0.1 μm MIN. GOLD OVER 0.5 μm MIN. Pd-Ni.
 - SOLDER TAIL : 2.5 μm MIN. Sn-Pb.
 - FINISH (PIN) (FOR -*****LF)
 - UNDER PLATING : 0.5 μm MIN. Ni
 - CONTACT AREA : 0.1 μm MIN. GOLD OVER 0.5 μm MIN. Pd-Ni.
 - SOLDER TAIL : 2.5 μm MIN. Sn.

4.25±0.1	3.5±0.1	5.0±0.1
OTHERS	36.67	35.51.68

- GENERAL TOLERANCE : ±0.3
- SEE SHEET 1 REGARDING COMPONENTS

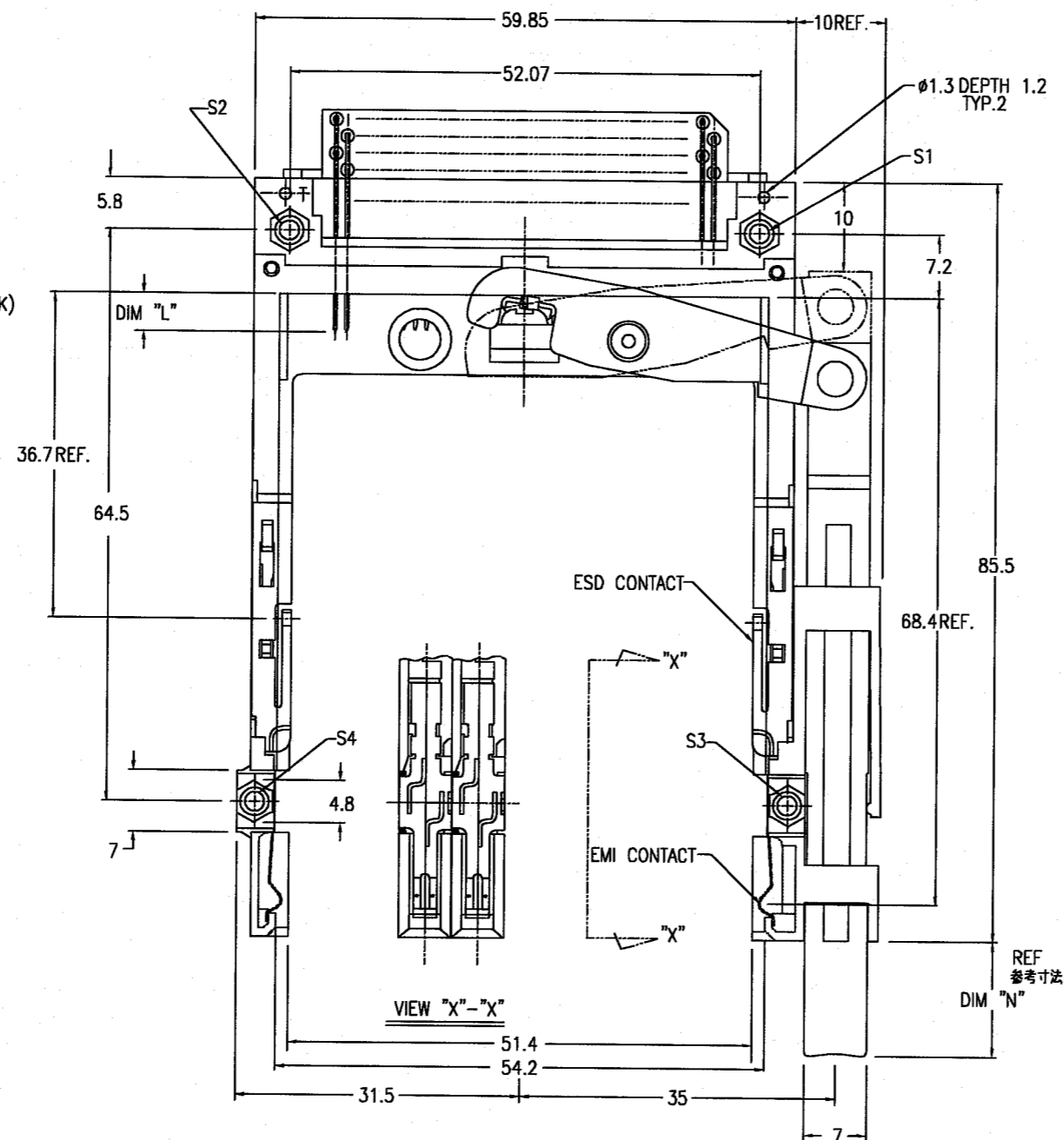
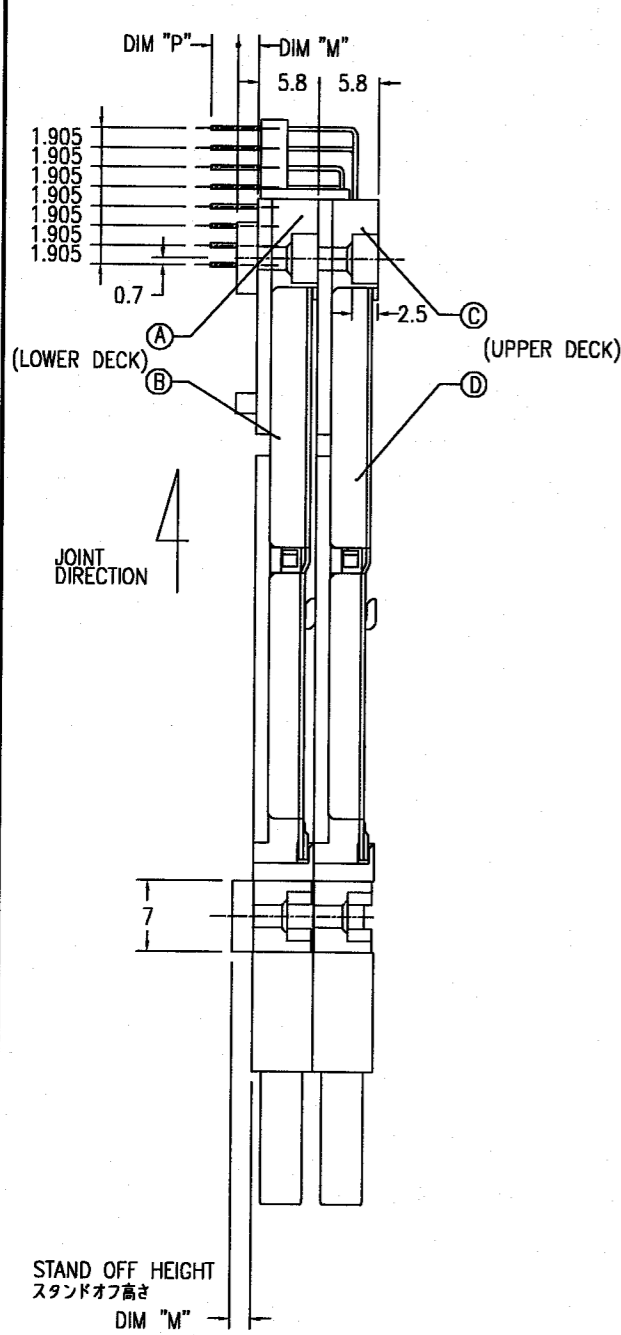


SHEET INDEX	ISSUE SH. NO.															
		TOLERANCES UNLESS OTHERWISE SPECIFIED	MAT	DR <i>M. Kasagawa</i>	DATE 6/17/05	CUSTOMER COPY	TITLE 68P DOUBLE EJECTOR HEADER ASSY FOR TYPE I/II/III			PRODUCT FAMILY SANF Header PCMCIA	CODE JP	SCALE 2/1	SIZE C	DWG. NO. 92194	REV C	SHEET 3of
LINEAR		SEE NOTE ④	ENGR <i>M. Kasagawa</i>	CHK <i>M. Kasagawa</i>	DATE 6/17/05	THIRD ANGLE PROJ										
ANGLES		SEE NOTE ⑤	APPD <i>H. Hatake</i>	DATE 6/17/05												

DF-003A REV F
DO NOT SCALE PRINT THIS INFORMATION IS CONFIDENTIAL AND IS DISCLOSED TO YOU ON CONDITION THAT NO FURTHER DISCLOSURE IS MADE BY YOU TO OTHER THAN FCI PERSONNEL WITHOUT WRITTEN AUTHORIZATION FROM FCI JAPAN K.K.

PART NO.	
92194-200CA	92194-200CALF
92194-200FA	92194-200FALF
92194-220CA	92194-220CALF

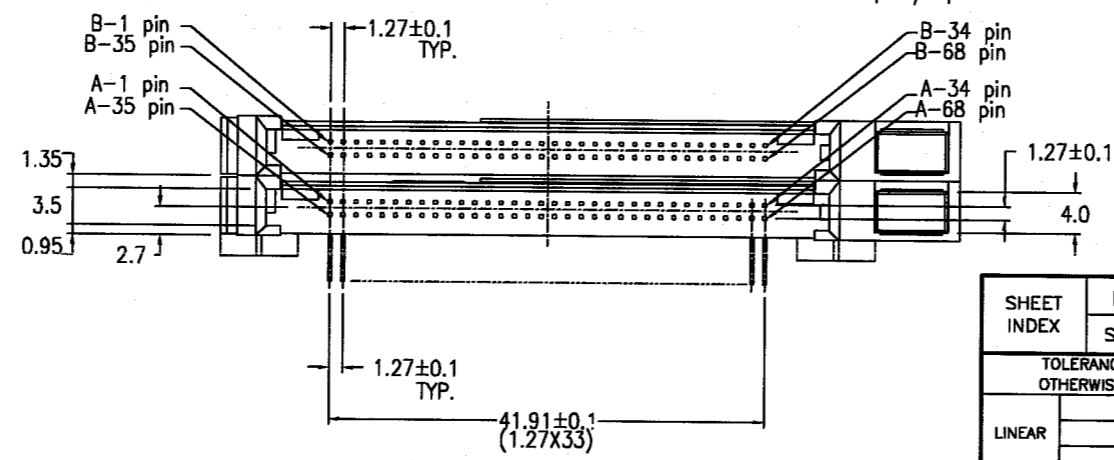
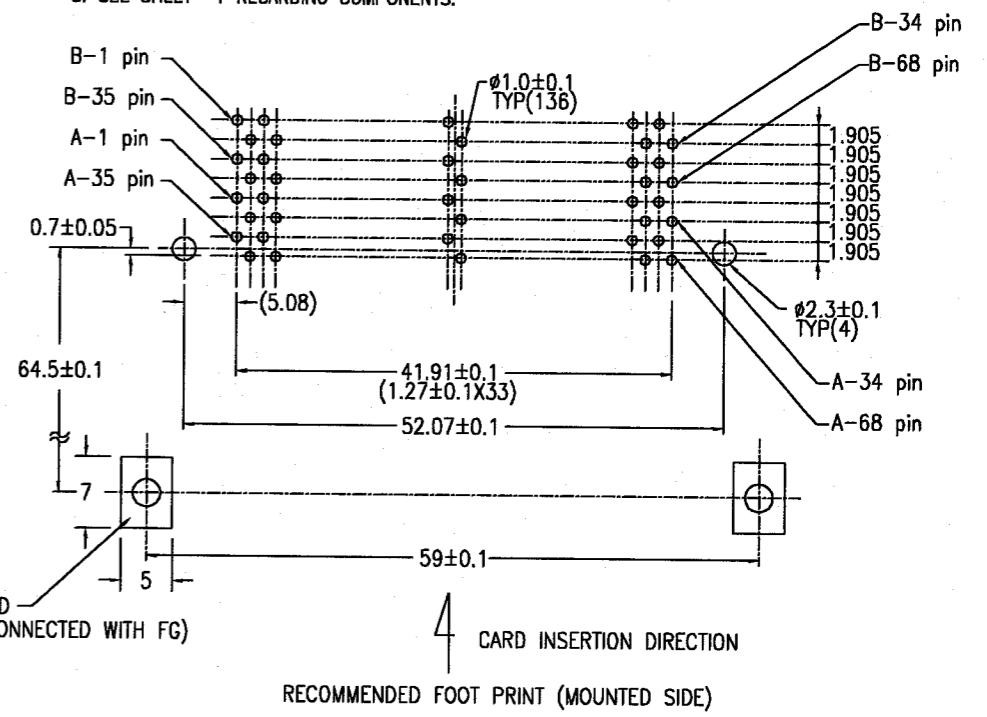
REVISIONS				
REV	DESCRIPTION	ECN	BY	DATE
A	RELEASED	J30022	N.T	1/19/93
B	REVISED	J40349	M.K	1/23/95
C	REVISED	v04-0820	M.K	3/16/04
D	REVISED	j05-0367	M.H	6/17/05



- NOTE
- EJECT FORCE 3.5kg MAX.
 - ASSY PROCESS
 - TO MOUNT PART (A), (C) ON PWB WITH SCREW (S1,S2) AND SOLDER.
 - TO JOINT PART (B), (D) INTO PART (A) THEN FIX PART (B), (D) WITH 2 SCREWS (S3,S4).
 - EJECT TRAVEL 8.0mm
 - MATERIAL
 - PART (A), (C) (HEADER ASSY)
 - PLASTIC : HOUSING : LCP UL94V-0 BLACK
 - LOCATOR : G.F.6/6 NYLON UL94V-0 BLACK
 - PIN : PHOSPHOR BRONZE
 - PART (B), (D) (EJECT MECHANISM ASSY)
 - PLASTIC : GUIDE : POLYOHTHARAMID UL94V-0 BLACK
 - PUSH ROD : POLYOHTHARAMID UL94V-0 BLACK
 - PLATE : STAINLESS
 - EMI CONTACT : PHOSPHOR BRONZE
 - FINISH (PIN)
 - FINISH (PIN)
 - UNDER PLATING : 0.5 μm MIN. Ni
 - CONTACT AREA : 0.1 μm MIN. GOLD OVER 0.5 μm MIN. Pd-Ni.
 - SOLDER TAIL : 2.5 μm MIN. Sn-Pb.
 - FINISH (PIN) (FOR -*****LF)
 - UNDER PLATING : 0.5 μm MIN. Ni
 - CONTACT AREA : 0.1 μm MIN. GOLD OVER 0.5 μm MIN. Pd-Ni.
 - SOLDER TAIL : 2.5 μm MIN. Sn.
 - DIM "L"

4.25±0.1	3.5±0.1	5.0±0.1
OTHERS	36.67	1.17, 34, 35, 51, 68

- GENERAL TOLERANCE : ±0.3
- SEE SHEET 1 REGARDING COMPONENTS.



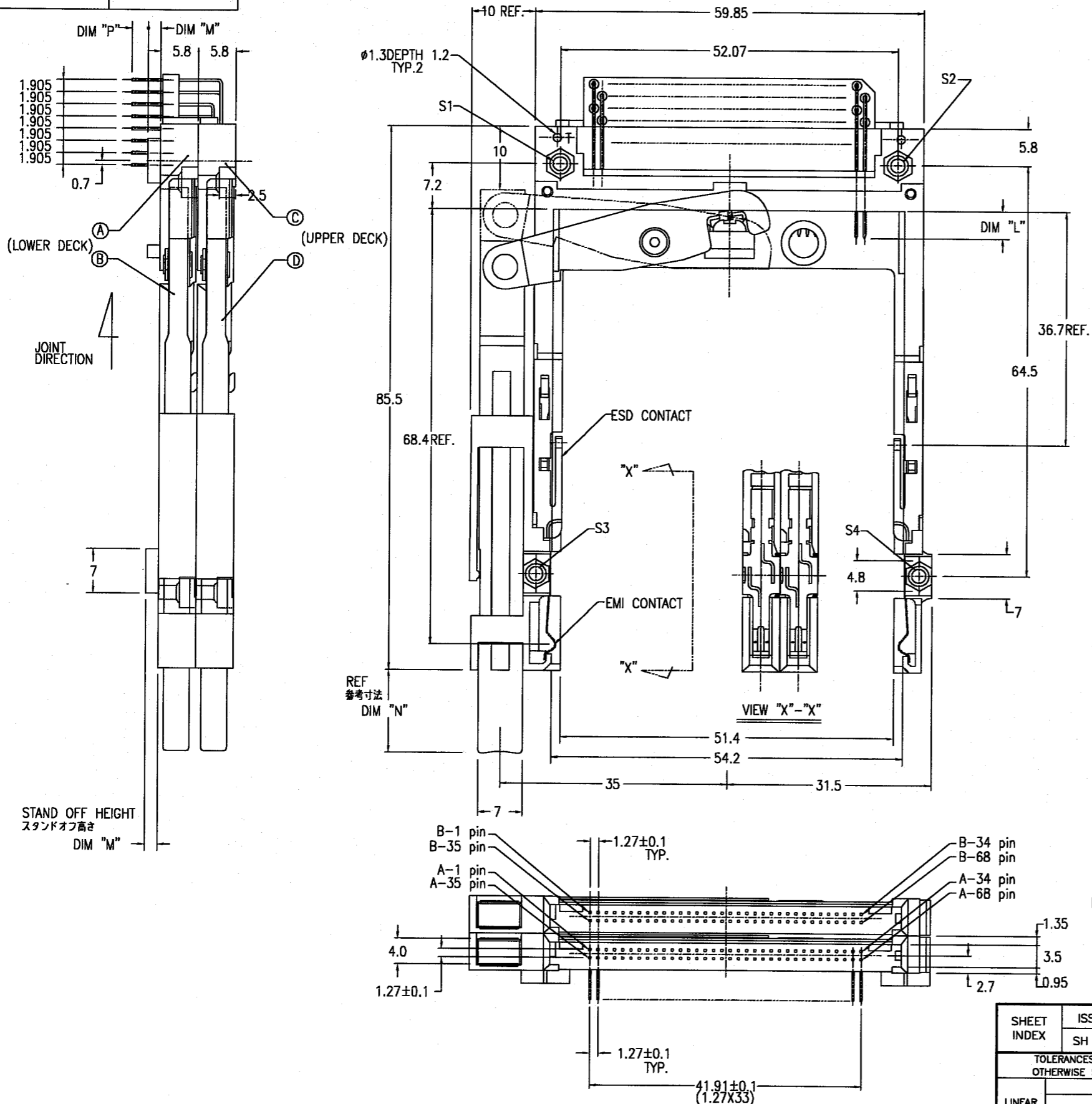
DF-003A REV F
DO NOT SCALE PRINT THIS INFORMATION IS CONFIDENTIAL AND IS DISCLOSED TO YOU ON CONDITION THAT NO FURTHER DISCLOSURE IS MADE BY YOU TO OTHER THAN FCI PERSONNEL WITHOUT WRITTEN AUTHORIZATION FROM FCI JAPAN K.K.

SHEET INDEX	ISSUE SH NO.	TOLERANCES UNLESS OTHERWISE SPECIFIED		MAT	DR	ENGR	DATE	CUSTOMER COPY	TITLE
					M. Hasegawa	M. Hasegawa	6/17/05		88P DOUBLE EJECTOR HEADER ASSY FOR TYPE I / II / III
					CHK	M. Hasegawa	6/20/05		PRODUCT FAMILY SANF Header PCMCIA
					APPD	M. Hasegawa	6/20/05		SCALE 2/1
									SIZE C
									DWG. NO. 92194
									REV D
									SHEET 4 of



PRODUCT NO.	
92194-300CA	92194-300CALF
92194-320CA	92194-320CALF
92194-320FA	92194-320FALF

REVISIONS				
REV	DESCRIPTION	ECN	BY	DATE
A	RELEASED	J30022	N.T	1/19/93
B	REVISED	J40349	M.K	1/23/95
C	REVISED	N90076	M.K	7/22/99
D	REVISED	J05-0367	M.H	6/17/05

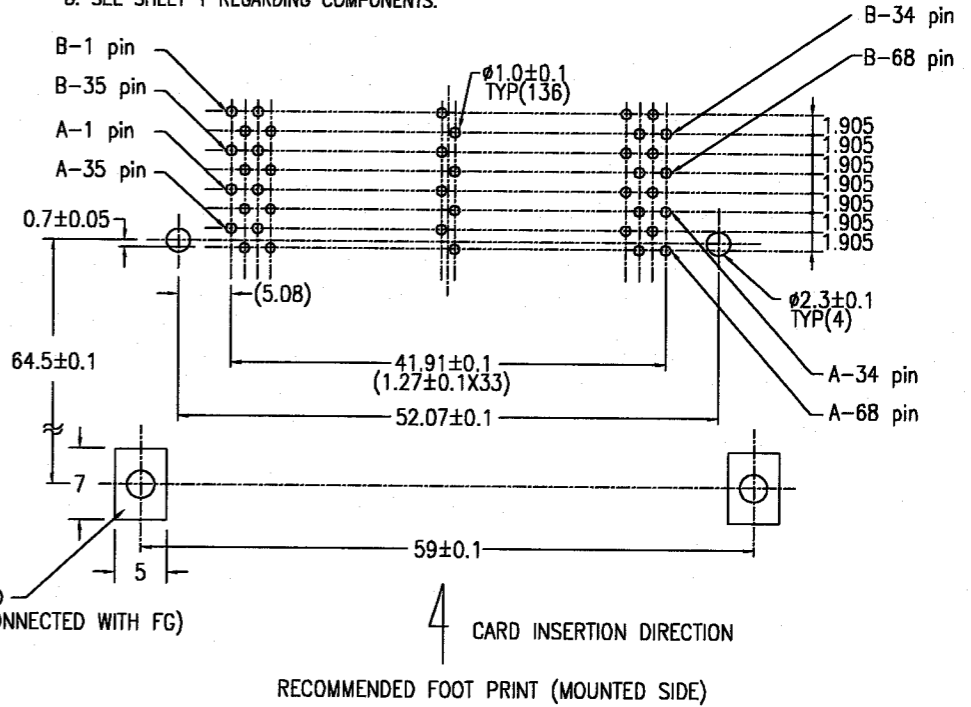


NOTE

- EJECT FORCE 3.5kg MAX.
- ASSY PROCESS
 - TO MOUNT PART (A), (C) ON PWB WITH SCREW (S1,S2) AND SOLDER.
 - TO JOINT PART (B), (D) INTO PART (A), (C) THEN FIX PART (B), (D) WITH 2 SCREWS (S3,S4).
- EJECT TRAVEL 8.0mm
- MATERIAL
 - PART (A), (C) (HEADER ASSY)
 - PLASTIC : HOUSING : LCP UL94V-0 BLACK
 - LOCATOR : G.F.6/6 NYLON UL94V-0 BLACK
 - PIN : PHOSPHOR BRONZE
 - PART (B), (D) (EJECT MECHANISM ASSY)
 - PLASTIC : GUIDE : POLYOTHARAMID UL94V-0 BLACK
 - PUSH ROD : POLYOTHARAMID UL94V-0 BLACK
 - PLATE : STAINLESS
 - EMI CONTACT : PHOSPHOR BRONZE
- FINISH (PIN)
 - FINISH (PIN)
 - UNDER PLATING : 0.5 μm MIN. Ni
 - CONTACT AREA : 0.1 μm MIN. GOLD OVER 0.5 μm MIN. Pd-Ni.
 - SOLDER TAIL : 2.5 μm MIN. Sn-Pb.
 - FINISH (PIN) (FOR -*****LF)
 - UNDER PLATING : 0.5 μm MIN. Ni
 - CONTACT AREA : 0.1 μm MIN. GOLD OVER 0.5 μm MIN. Pd-Ni.
 - SOLDER TAIL : 2.5 μm MIN. Sn.

4.25±0.1	3.5±0.1	5.0±0.1
OTHERS	36.67	$\frac{1.17 \times 34}{36.51 \times 68}$

- GENERAL TOLERANCE : ±0.3
- SEE SHEET 1 REGARDING COMPONENTS.



SHEET INDEX	ISSUE								
	SH NO.								
TOLERANCES UNLESS OTHERWISE SPECIFIED		MAT	DR	DATE	CUSTOMER COPY	TITLE			
		SEE NOTE ④	M. Kasagawa	6/17/05		68P DOUBLE EJECTOR HEADER ASSY FOR TYPE I/II/III			
		FINISH	ENGR	DATE	THIRD ANGLE PROJ	PRODUCT FAMILY		CODE	JP
		SEE NOTE ⑤	M. Kasagawa	6/17/05		SANF Header PCMCIA			
		APPD	M. Kasagawa	6/20/05		SCALE	SIZE	DWG. NO.	REV
						2/1	C	92194	D
		ANGLES			UNIT				SHEET
					MM				5 OF

FCI

TITLE 68P DOUBLE EJECTOR HEADER ASSY FOR TYPE I/II/III

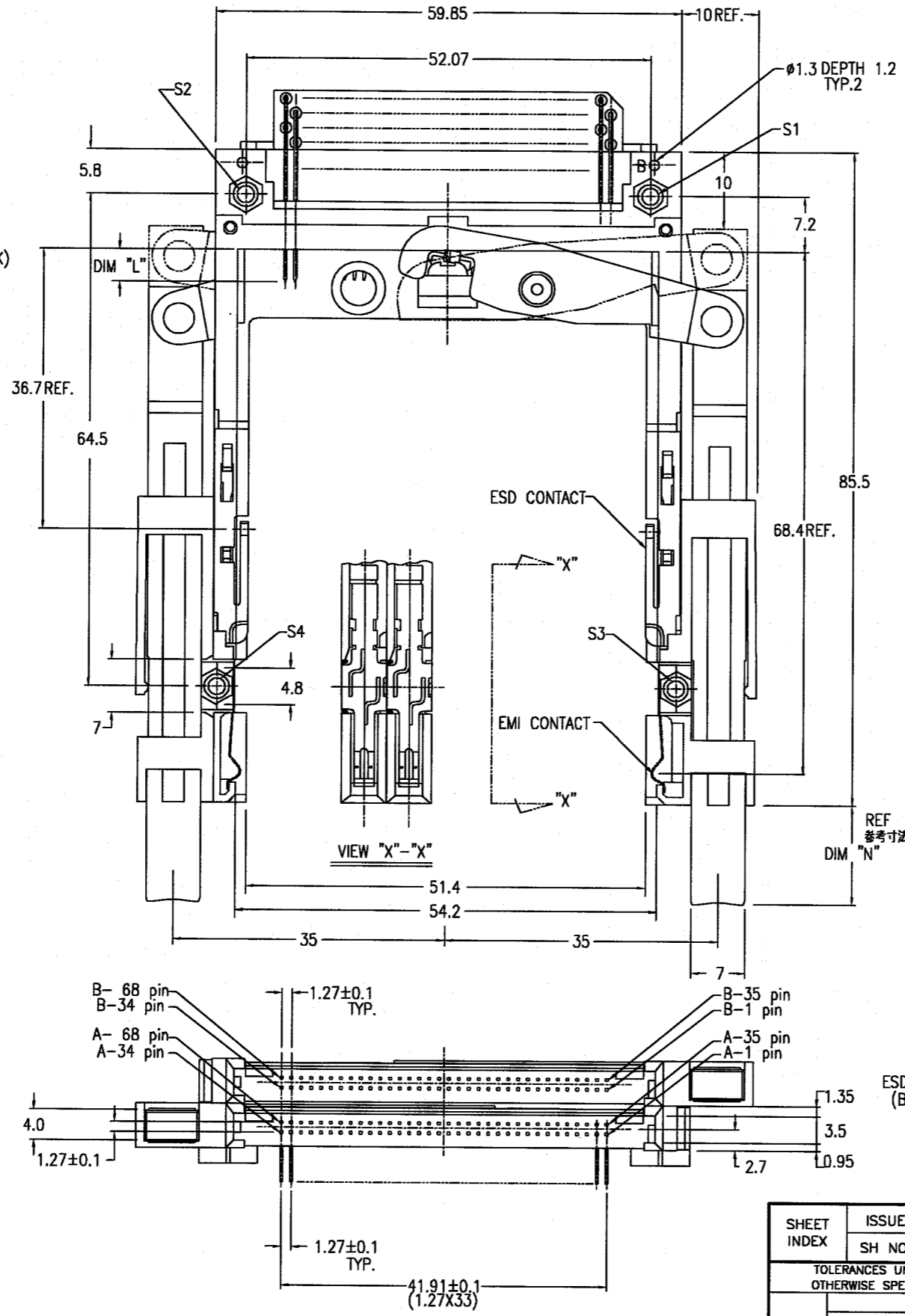
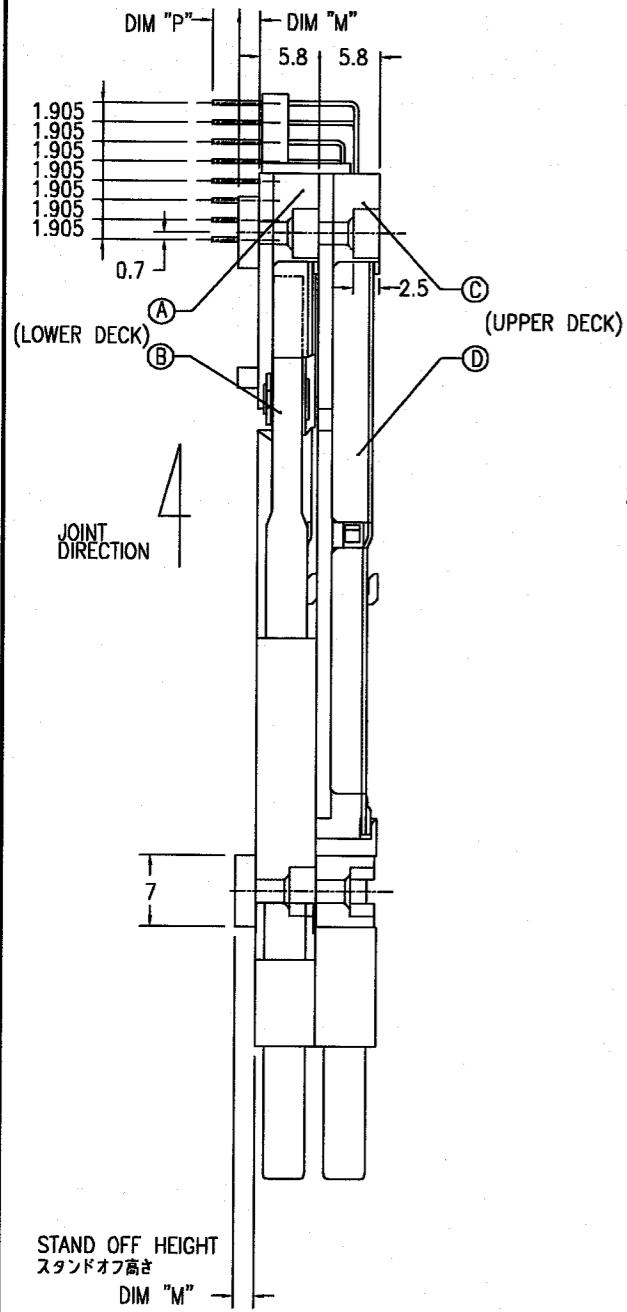
PRODUCT FAMILY SANF Header PCMCIA

SCALE 2/1 SIZE C DWG. NO. 92194 REV D SHEET 5 OF

DF-003A REV F
DO NOT SCALE PRINT THIS INFORMATION IS CONFIDENTIAL AND IS DISCLOSED TO YOU ON CONDITION THAT NO FURTHER DISCLOSURE IS MADE BY YOU TO OTHER THAN FCI PERSONNEL WITHOUT WRITTEN AUTHORIZATION FROM FCI JAPAN K.K.

PART NO.	
92194-500CA	92194-500CALF
92194-500FA	92194-500FALF
92194-520CA	92194-520CALF

REVISIONS				
REV	DESCRIPTION	ECN	BY	DATE
A	RELEASED	J30022	N.T	1/19/93
B	REVISED	J40349	M.K	1/23/95
C	REVISED	V60956	M.K	7/29/96
D	REVISED	J05-0367	M.H	6/17/05

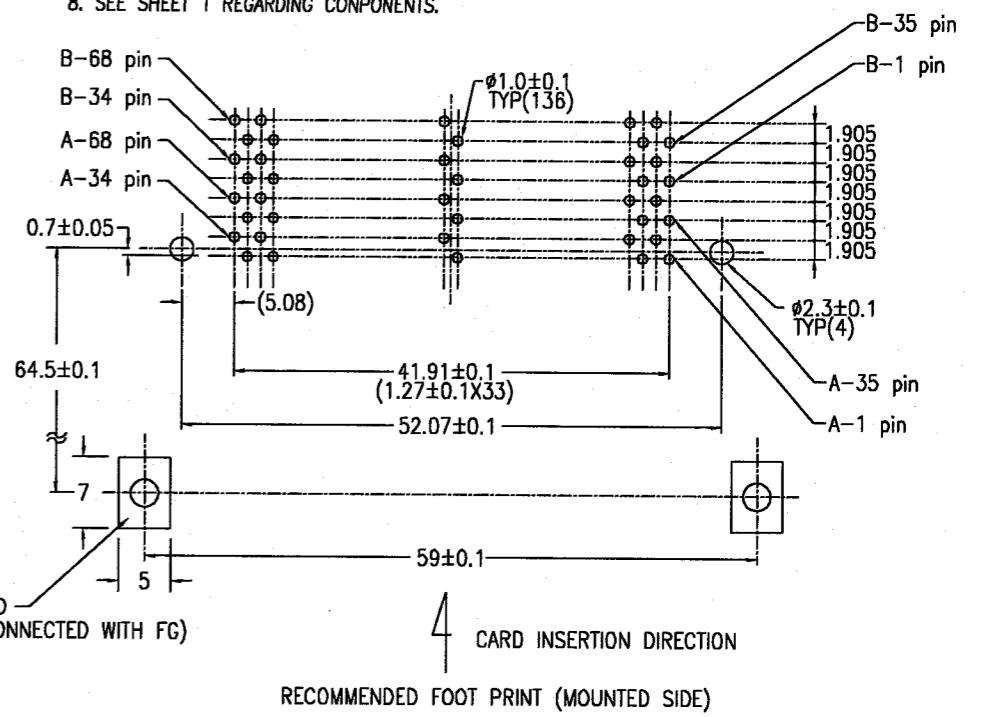


- NOTE
- EJECT FORCE 3.5kg MAX.
 - ASSY PROCESS
 - TO MOUNT PART ④, ⑤ ON PWB WITH SCREW (S1,S2) AND SOLDER.
 - TO JOINT PART ③, ⑥ INTO PART ④, ⑤ THEN FIX PART ③, ⑥ WITH 2 SCREWS (S3,S4).
 - EJECT TRAVEL 8.0mm

- ④ MATERIAL
- PART ④, ⑤ (HEADER ASSY)
 - PLASTIC : HOUSING : LCP UL94V-0 NATURAL
 - LOCATOR : G.F.6/6 NYLON UL94V-0 BLACK
 - PIN : PHOSPHOR BRONZE
 - PART ③, ⑥ (EJECT MECHANISM ASSY)
 - PLASTIC : GUIDE : POLYETHYLENE TEREPHTHALATE UL94V-0 BLACK
 - PUSH ROD : POLYETHYLENE TEREPHTHALATE UL94V-0 BLACK
 - PLATE : STAINLESS
 - EMI CONTACT : PHOSPHOR BRONZE

- ⑤ -1 FINISH (PIN)
- UNDER PLATING : 0.5 μm MIN. Ni
 - CONTACT AREA : 0.1 μm MIN. GOLD OVER 0.5 μm MIN. Pd-Ni.
 - SOLDER TAIL : 2.5 μm MIN. Sn-Pb.
- ⑤ -2 FINISH (PIN) (FOR -*****LF)
- UNDER PLATING : 0.5 μm MIN. Ni
 - CONTACT AREA : 0.1 μm MIN. GOLD OVER 0.5 μm MIN. Pd-Ni.
 - SOLDER TAIL : 2.5 μm MIN. Sn.

6. DIM "L"
- | | | |
|----------|---------|----------|
| 4.25±0.1 | 3.5±0.1 | 5.0±0.1 |
| OTHERS | 36.67 | 35.51.68 |
7. GENERAL TOLERANCE : ±0.3
8. SEE SHEET 1 REGARDING COMPONENTS.

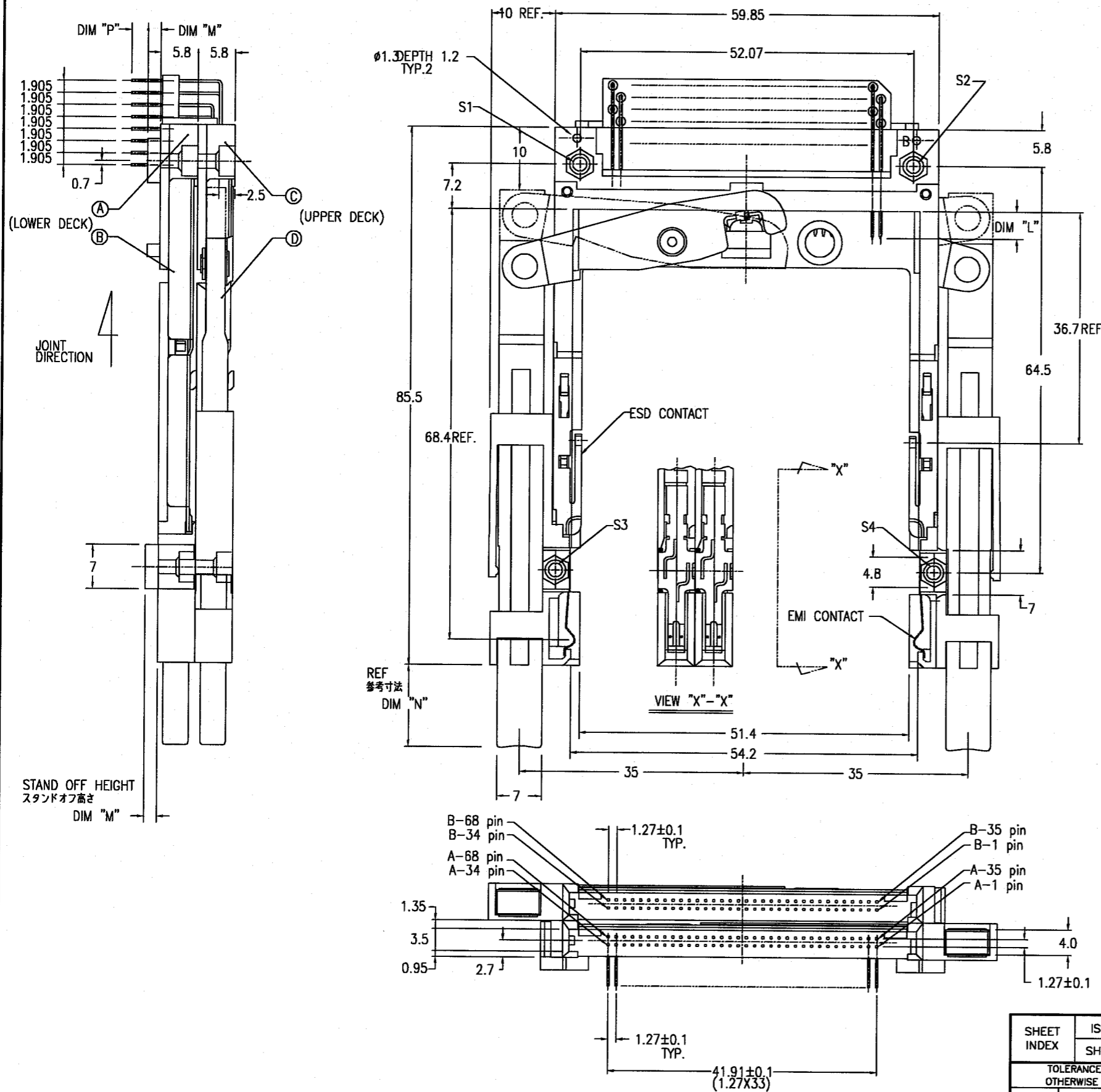


DF-003A REV F
DO NOT SCALE PRINT THIS INFORMATION IS CONFIDENTIAL AND IS DISCLOSED TO YOU ON CONDITION THAT NO FURTHER DISCLOSURE IS MADE BY YOU TO OTHER THAN FCI PERSONNEL WITHOUT WRITTEN AUTHORIZATION FROM FCI JAPAN K.K.

SHEET INDEX	ISSUE	TOLERANCES UNLESS OTHERWISE SPECIFIED		MAT	DR	DATE	CUSTOMER COPY	TITLE	
	SH NO.			SEE NOTE ④	M. Hasegawa	6/17/05		68P DOUBLE EJECTOR HEADER ASSY FOR TYPE I/II/III	
LINEAR				FINISH	ENGR	6/17/05	THIRD ANGLE PROJ	PRODUCT FAMILY	CODE
ANGLES				SEE NOTE ⑤	CHK	6/26/05		SANF Header PCMCIA	JP
					APPD		UNIT	SCALE	SIZE
							MM	2/1	C
							INCH	DWG. NO.	REV
								92194	D
									6 OF

PART NO.	
92194-600CA	92194-600CALF
92194-620CA	92194-620CALF

REVISIONS				
REV	DESCRIPTION	ECN	BY	DATE
A	RELEASED	J30022	N.T	1/19/93
B	REVISED	J40349	M.K	1/23/95
C	REVISED	J05-0367	M.H	5/17/05



NOTE

- EJECT FORCE 3.5kg MAX.
- ASSY PROCESS
 - TO MOUNT PART ④, ⑤ ON PWB WITH SCREW (S1,S2) AND SOLDER.
 - TO JOINT PART ③, ⑥ INTO PART ④, ⑤ THEN FIX PART ③, ⑥ WITH 2 SCREWS (S3,S4).
 - EJECT TRAVEL 8.0mm

④ MATERIAL

- PART ④, ⑤ (HEADER ASSY)
 - PLASTIC : HOUSING : LCP UL94V-0 NATURAL
 - LOCATOR : G.F.6/6 NYLON UL94V-0 BLACK
 - PIN : PHOSPHOR BRONZE
- PART ③, ⑥ (EJECT MECHANISM ASSY)
 - PLASTIC : GUIDE : POLYETHYLENE TEREPHTHALATE UL94V-0 BLACK
 - PUSH ROD : POLYETHYLENE TEREPHTHALATE UL94V-0 BLACK
 - PLATE : STAINLESS
 - EMI CONTACT : PHOSPHOR BRONZE

⑤ -1 FINISH (PIN)

- UNDER PLATING : 0.5 μm MIN. Ni
- CONTACT AREA : 0.1 μm MIN. GOLD OVER 0.5 μm MIN. Pd-Ni.
- SOLDER TAIL : 2.5 μm MIN. Sn-Pb.

⑤ -2 FINISH (PIN) (FOR -****LF)

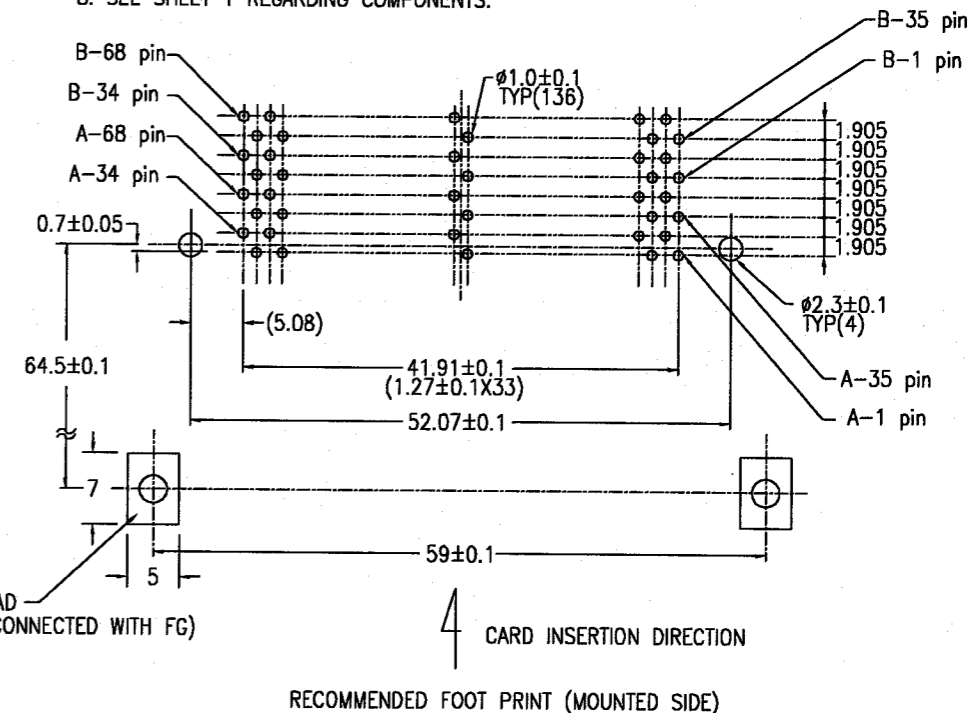
- UNDER PLATING : 0.5 μm MIN. Ni
- CONTACT AREA : 0.1 μm MIN. GOLD OVER 0.5 μm MIN. Pd-Ni.
- SOLDER TAIL : 2.5 μm MIN. Sn.

6. DIM "L"

4.25±0.1	3.5±0.1	5.0±0.1
OTHERS	36.67	35.51.68

7. GENERAL TOLERANCE : ±0.3

8. SEE SHEET 1 REGARDING COMPONENTS.



DF-003A REV F

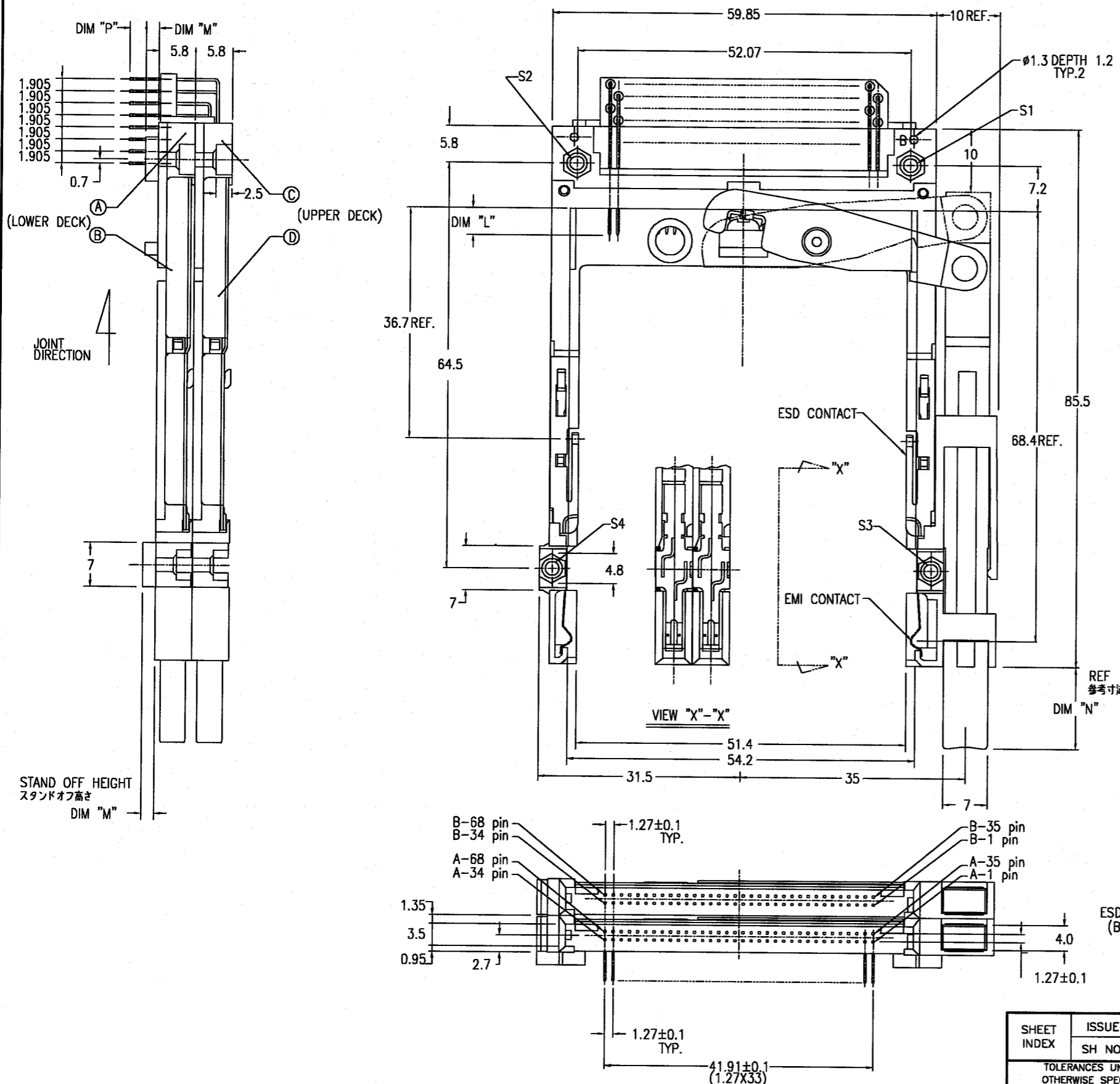
DO NOT SCALE. PRINT THIS INFORMATION IS CONFIDENTIAL AND IS DISCLOSED TO YOU ON CONDITION THAT NO FURTHER DISCLOSURE IS MADE BY YOU TO OTHER THAN FCI PERSONNEL WITHOUT WRITTEN AUTHORIZATION FROM FCI JAPAN K.K.

SHEET INDEX	ISSUE SH. NO.	TOLERANCES UNLESS OTHERWISE SPECIFIED		MAT	DR <i>M. Hasegawa</i>	DATE 6/17/05	CUSTOMER COPY	TITLE 68P DOUBLE EJECTOR HEADER ASSY FOR TYPE I/II/III
LINEAR		SEE NOTE ④	ENG. <i>M. Hasegawa</i>	FINISH	CHK <i>M. Hasegawa</i>	6/20/05	THIRD ANGLE PROJ	PRODUCT FAMILY SANF Header PCMCIA CODE JP
ANGLES		SEE NOTE ⑤	APPD <i>H. Takahashi</i>		DATE 6/20/05		UNIT MM INCH	SCALE 2/1 SIZE C DWG. NO. 92194 REV SHEET C 7 of 7



PART NO.	
92194-800CA	92194-800CALF
92194-820CA	92194-820CALF

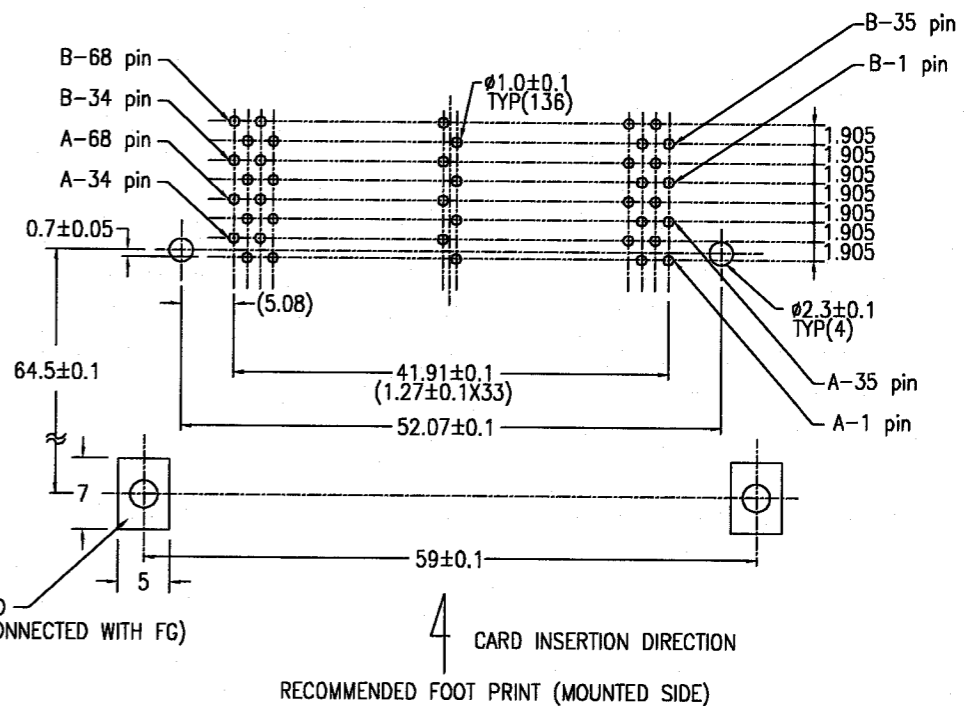
REVISIONS				
REV	DESCRIPTION	ECN	BY	DATE
A	RELEASED		N.T	1/19/92
B	REVISED	J40349	M.K	1/23/95
C	REVISED	J05-0367	M.H	6/17/05



NOTE

- EJECT FORCE 3.5kg MAX.
- ASSY PROCESS
 - TO MOUNT PART ④, ⑤ ON PWB WITH SCREW (S1,S2) AND SOLDER.
 - TO JOINT PART ③, ⑥ INTO PART ④, ⑤ THEN FIX PART ③, ⑥ WITH 2 SCREWS (S3,S4).
- EJECT TRAVEL 8.0mm
- MATERIAL
 - PART ④, ⑤ (HEADER ASSY)
 - PLASTIC : HOUSING : LCP UL94V-0 NATURAL
 - LOCATOR : G.F.6/6 NYLON UL94V-0 BLACK
 - PIN : PHOSPHOR BRONZE
 - PART ③, ⑥ (EJECT MECHANISM ASSY)
 - PLASTIC : GUIDE : POLYOHTHARAMID UL94V-0 BLACK
 - PUSH ROD : POLYOHTHARAMID UL94V-0 BLACK
 - PLATE : STAINLESS
 - EMI CONTACT : PHOSPHOR BRONZE
- 1 FINISH (PIN)
 - UNDER PLATING : 0.5 μm MIN. Ni
 - CONTACT AREA : 0.1 μm MIN. GOLD OVER 0.5 μm MIN. Pd-Ni.
 - SOLDER TAIL : 2.5 μm MIN. Sn-Pb.
- 2 FINISH (PIN) (FOR -****LF)
 - UNDER PLATING : 0.5 μm MIN. Ni
 - CONTACT AREA : 0.1 μm MIN. GOLD OVER 0.5 μm MIN. Pd-Ni.
 - SOLDER TAIL : 2.5 μm MIN. Sn.
- DIM "L"

4.25±0.1	3.5±0.1	5.0±0.1
OTHERS	36.67	1.17, 34, 35, 51, 68
- GENERAL TOLERANCE : ±0.3
- SEE SHEET 1 REGARDING COMPONENTS.



DF-003A REV F
DO NOT SCALE PRINT THIS INFORMATION IS CONFIDENTIAL AND IS DISCLOSED TO YOU ON CONDITION THAT NO FURTHER DISCLOSURE IS MADE BY YOU TO OTHER THAN FCI PERSONNEL WITHOUT WRITTEN AUTHORIZATION FROM FCI JAPAN K.K.

SHEET INDEX	ISSUE SH NO.	MAT	DR <i>M. Hasegawa</i> 6/17/05	DATE	CUSTOMER COPY	TITLE 68P DOUBLE EJECTOR HEADER ASSY FOR TYPE I/II/III
		SEE NOTE ④	ENGR <i>M. Hasegawa</i> 6/17/05			PRODUCT FAMILY SANF Header PCMCIA CODE JP
LINEAR		FINISH	CHK <i>M. Hasegawa</i> 6/20/05	THIRD ANGLE PROJ	SCALE 2/1	SIZE C
ANGLES		SEE NOTE ⑤	APPD <i>H. Takahara</i> 6/20/05	UNIT MM INCH	DWG. NO. 92194	REV C

